

Applications

Brio's Open Round Rail Face Fix hanger makes an ideal internal system for residential and commercial applications of timber panels with exposed hangers and rail.

The face fix hangers are 304 stainless steel with precision bearings.

Panel Specification

Track System:	Open Round Rail Timber Face Fix 100
For Individual Panels:	
Max Panel Height	3000mm
Max Panel Width	2000mm
Max Panel Weight	100kg
Panel Thickness	35-40mm

Standard Packs

Packs include hangers, door stops, guide, handle, brackets and fixings

Pack No.	Finish
ORF100	Stainless Steel
ORF100PR	PVD Black

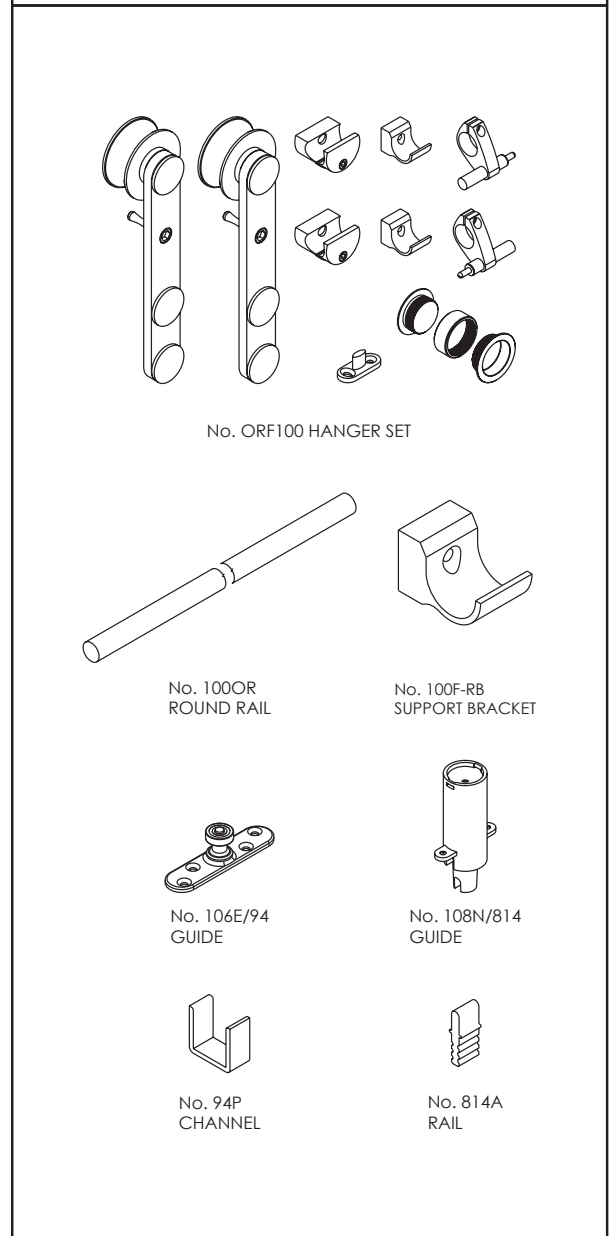
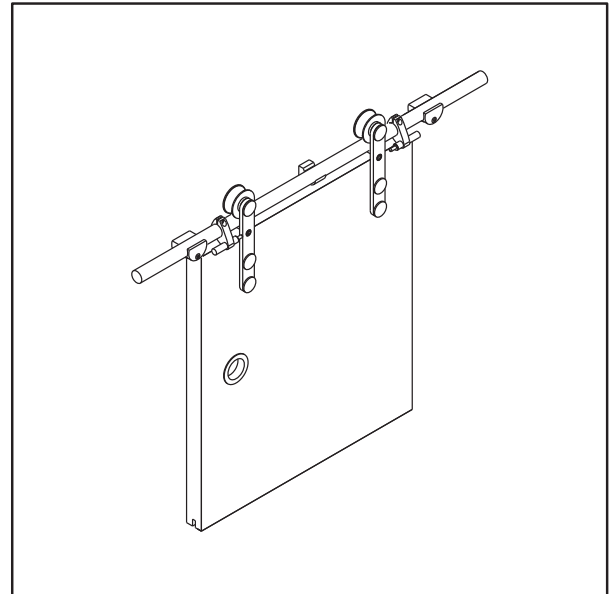
Hardware Specification

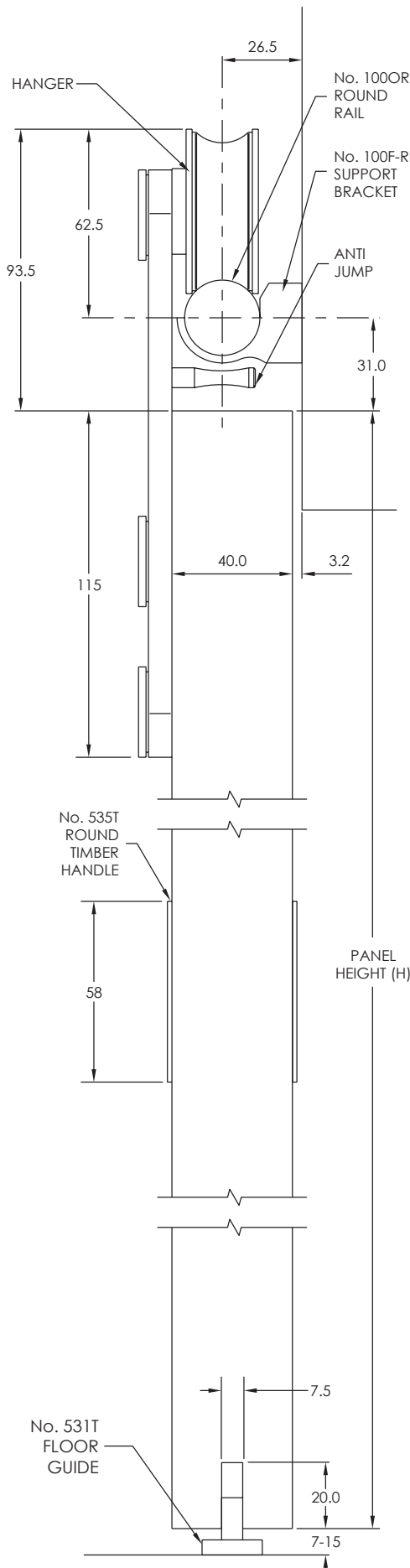
Track:	100OR
Material	Stainless Steel
Standard lengths	2000mm, 2500mm, 3000mm and 4000mm
Finishes	Stainless Steel and PVD Black (except 4000mm)

Guides:	
Stainless precision bearing	106E/94
Nylon spring loaded guide	108N/814

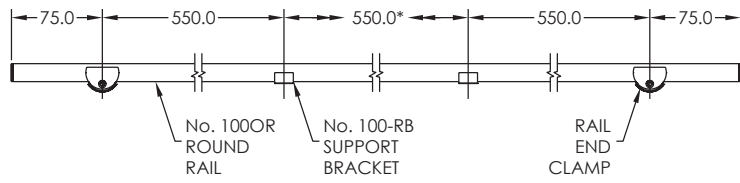
Channels:	
Polypropylene	94P Black
Aluminium & Polypropylene	94PPA Clear anodised
Aluminium	814A Aluminium Rail Clear anodised
Standard lengths	2000mm, 3000mm, 4000mm and 6000mm

Support Bracket:	
Support bracket	100F-RB or 100F-RBPR





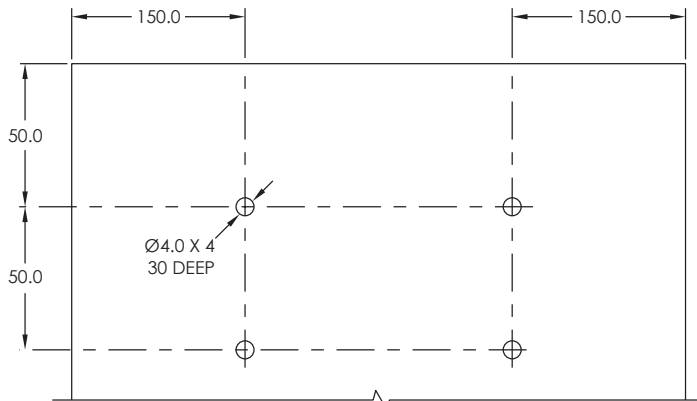
BRACKET PLACEMENT



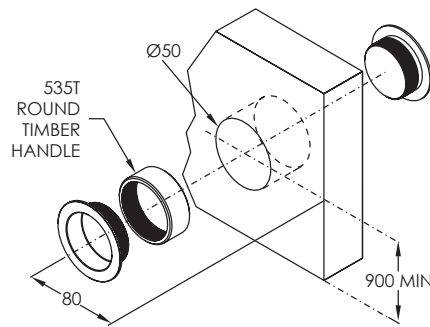
RAIL LENGTH	*ADDITIONAL No. 100F-RB REQUIRED
2500mm	1
3000mm	2
4000mm	4

PANEL PREPARATION

HANGERS (INSIDE FACE OF DOOR SHOWN)



ROUND TIMBER HANDLE



OPTIONAL GUIDES

